

## Z1022-XL LEAD-FREE SANI-GARD AUTOMATIC TRAP PRIMER

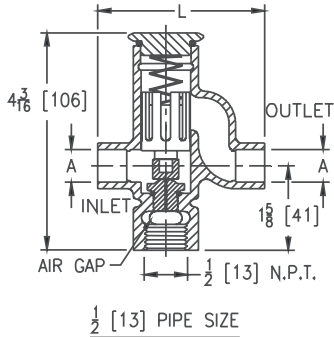


Patented



### ENGINEERING SPECIFICATION

Zurn Z1022-XL lead-free sani-gard automatic trap primer features an all bronze body with integral vacuum breaker, non-liming internal operating piston, stainless steel spring, removable bronze seat with metering orifice, and sealed bronze cover.



Dimensions in inches [mm]		Approximate Weight lb [kg]
A Pipe Size/Connection	L	
1/2 [13] Solder Female 1/2 [13] IP Female	3-7/32 [82]	1 [0.5]
1/2 [13] Solder Female Union 1/2 [13] IP Female Union	5-21/32 [144] 5-11/32 [136]	1.5 [0.7]

PREFIXES	DESCRIPTION	LIST PRICE
Z1022-XL*	All Plain Bronze Body	Combine with connection type for pricing

CONNECTION DESIGNATION (SPECIFY PIPE SIZE IN INCHES AND TYPE OF CONNECTION)		
CONNECTION TYPE	PIPE SIZE/OUTLET TYPE	ADD
SF	1/2" Solder Female	293.00
IP	1/2" IP Female	293.00
SFU	1/2" Solder Female Union	446.00
IPU	1/2" IP Female Union	446.00

SUFFIXES	ADD
-CP	Chrome-Plated Finish 98.00
-DU2	2-Outlet Distribution Unit 303.00
-DU3	3-Outlet Distribution Unit 345.00
-DU4	4-Outlet Distribution Unit 388.00
-RK	Repair Kit 142.00

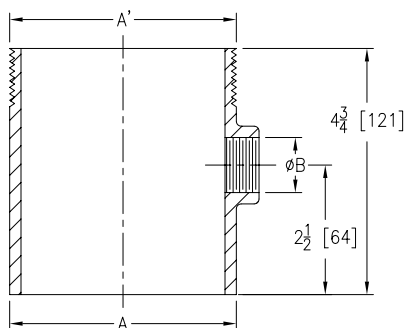
BEST SELLERS	LIST PRICE
Z1022-XL-1/2-IP	293.00
Z1022-XL-1/2-IPU	446.00
Z1022-XL-1/2-SF	293.00
Z1022-XL-1/2-SFU	446.00

## Z1023 TRAP PRIMER CONNECTION ADAPTER



### ENGINEERING SPECIFICATION

Zurn Z1023 trap primer connection adapter features Dura-Coated cast iron body with 1/2" female threaded side inlet trap primer connection.



Dimensions in inches [mm]		Approximate Weight lb [kg]
A x A'	B	
<b>No-Hub x No-Hub</b>		
2NH x 2NH	1/2 [13]	2 [1]
3NH x 3NH		4 [2]
4NH x 4NH		6 [3]
<b>Threaded x No-Hub</b>		
2IP x 2NH	1/2 [13]	2 [1]
3IP x 3NH		4 [2]
4IP x 4NH		6 [3]

PREFIXES	DESCRIPTION	PIPE SIZE	LIST PRICE
Z1023*	D.C.C.I. Body	2", 3", 4"	Combine with connection type for pricing

CONNECTION DESIGNATION (SPECIFY PIPE SIZE IN INCHES AND TYPE OF CONNECTION)		
CONNECTION TYPE	PIPE SIZE/OUTLET TYPE	ADD
NH x NH	No-Hub x No-Hub 2NH x 2NH, 3NH x 3NH, 4NH x 4NH	194.00
IP x NH	Threaded x No-Hub 2IP x 2NH, 3IP x 3NH, 4IP x 4NH	194.00

SUFFIXES	ADD
-G	Galvanized Cast Iron Body 98.00

BEST SELLERS	LIST PRICE
Z1023-2NH	194.00
Z1023-3NH	194.00
Z1023-4NH	194.00

\*Regularly furnished unless otherwise specified.

Items designated as Best Sellers are most specified and are generally in stock for shipment.

⌚ This symbol denotes a product that is engineered to reduce installation and rework time.

For additional product information, please visit [www.zurn.com](http://www.zurn.com)

INTRO  
ROOF DRAINS  
FLOOR DRAINS  
T, P, BW VALVES  
INTERCEPTORS  
CARRIERS  
HYDRANTS  
CLEANOUTS  
WHA  
SS DRAINS  
FAB SS DRAINS  
SANI-FLOOR  
TECH INFO